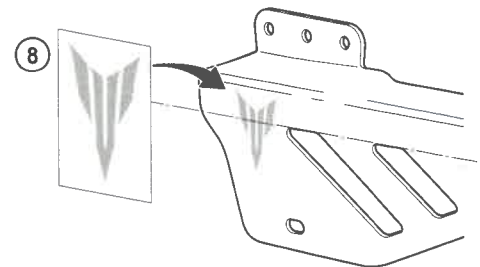
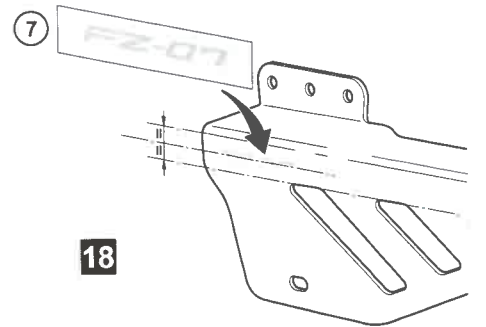
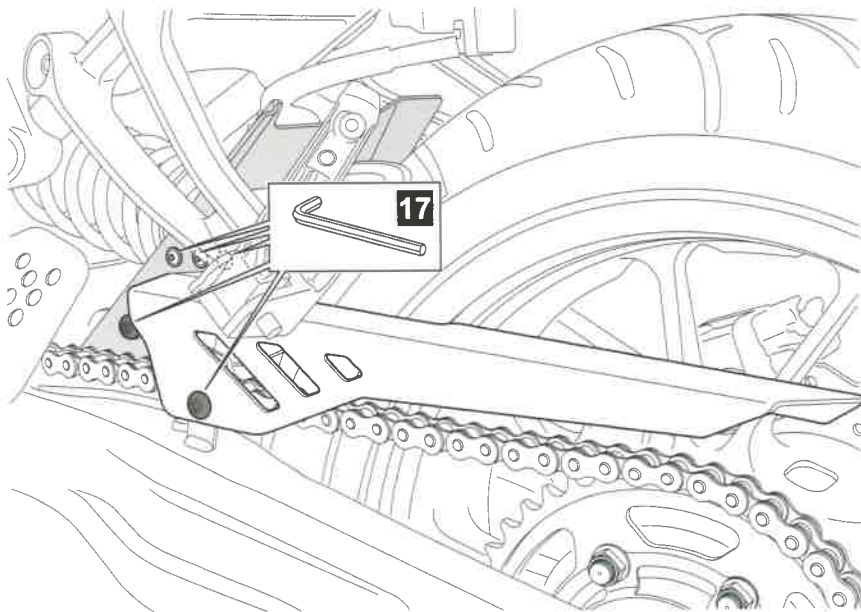
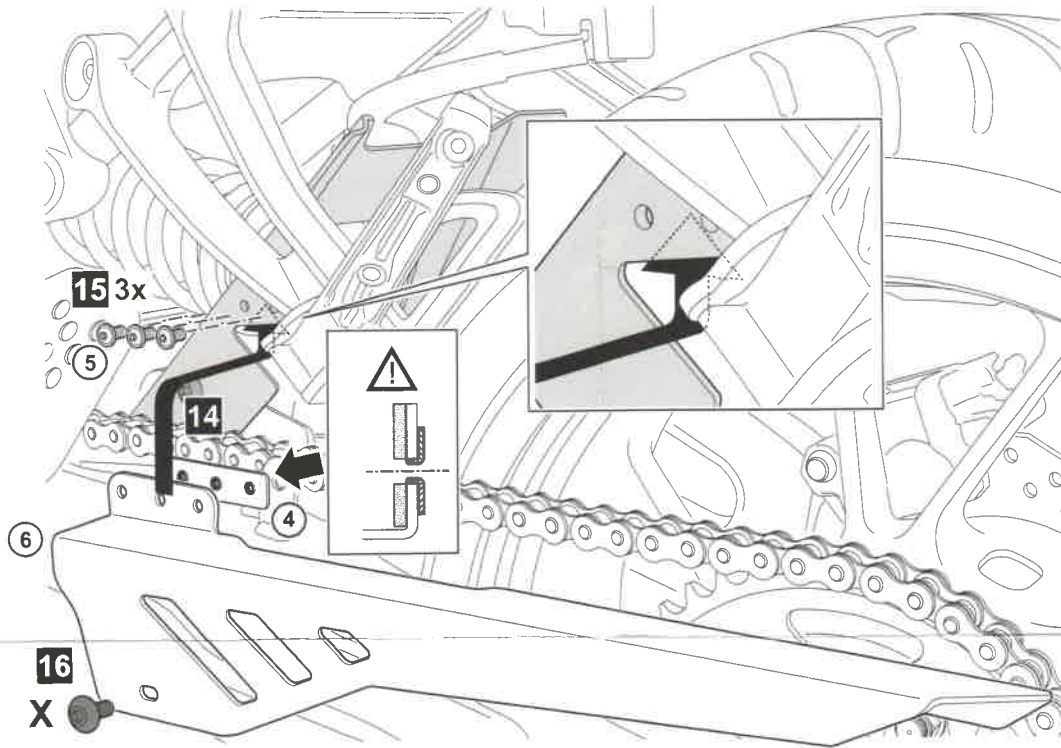
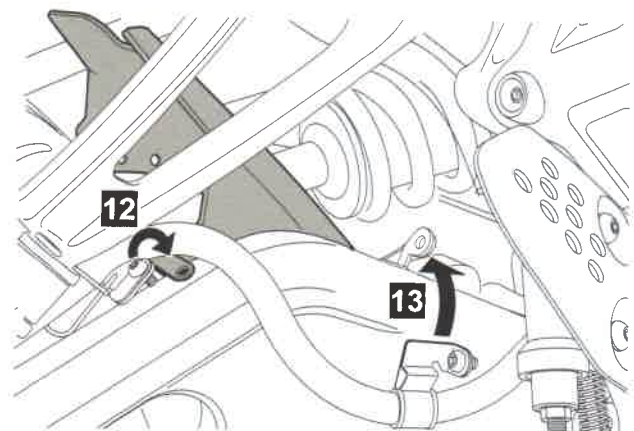
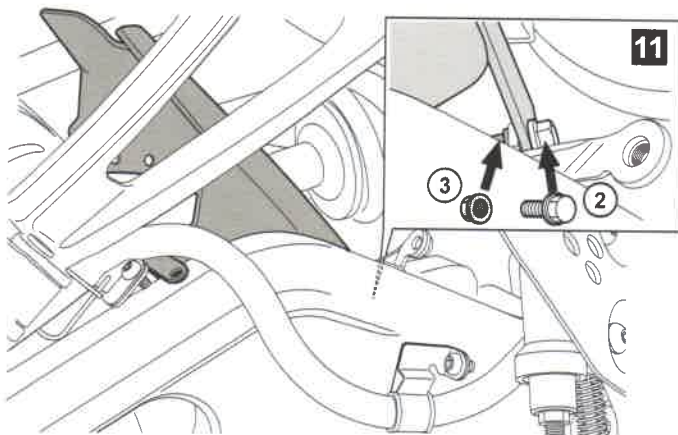
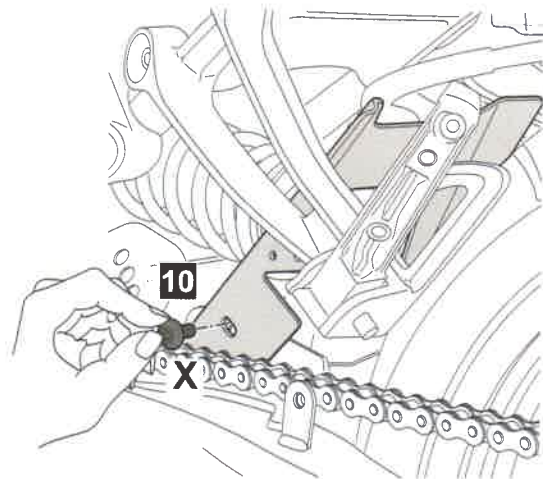
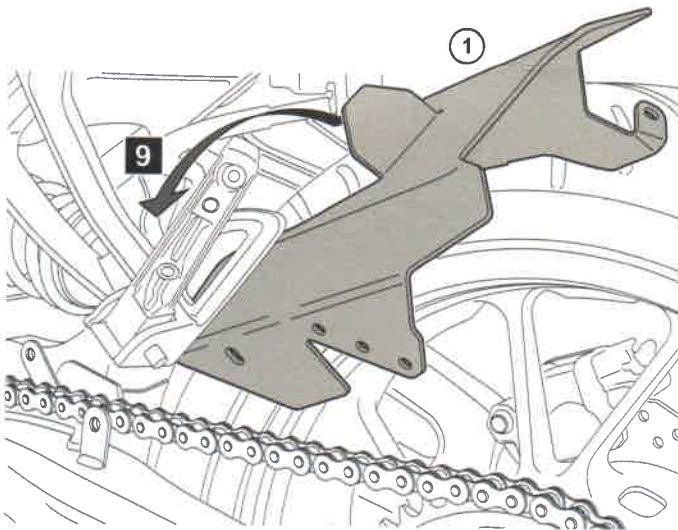
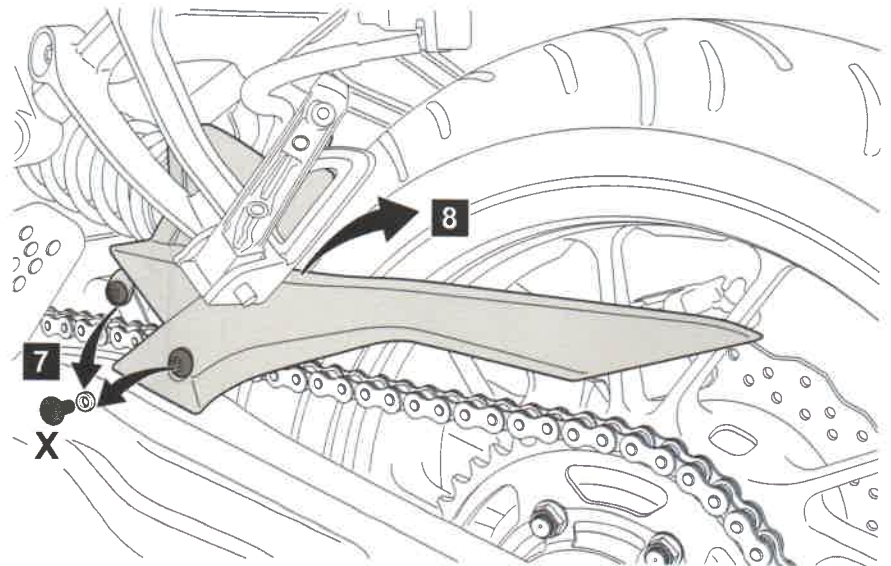
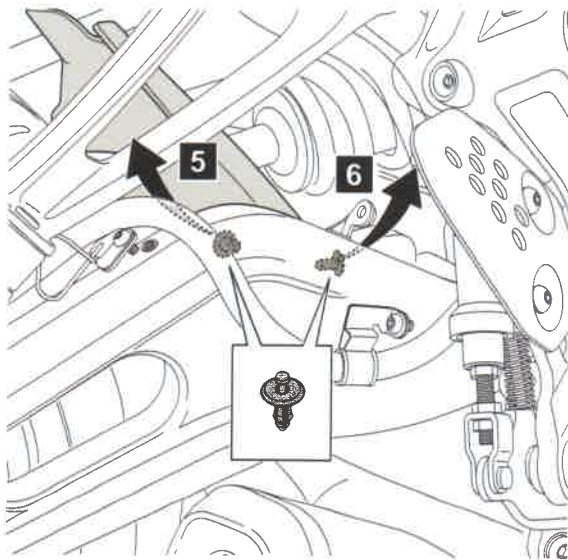


MT-07 CHAIN GUARD (2014)











MT-07 CHAIN GUARD (2014)



MT-07 CHAIN GUARD (2014)

1WS-F2311-00-00

Posnr.	QTY	
①	1	
②	1	 M6x16
③	1	 M6
④	1	
⑤	3	 M5x6
⑥	1	
⑦	1	 FZ-07 USA
⑧	1	 EU

