

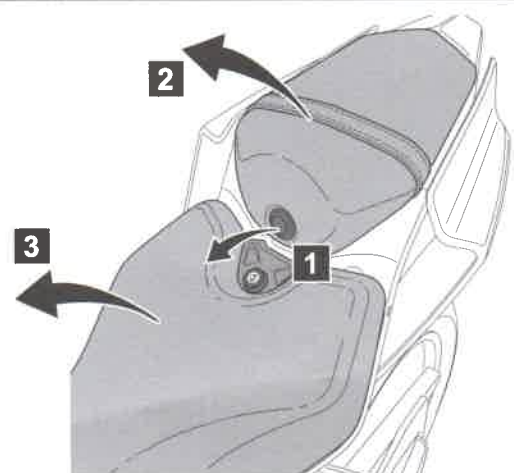
YZF-R-125 (2021) LPH

B5G-F16E0-**-**-**



Posnr.	QTY	
①	1	
②	4	● Ø5,5x1,5
③	4	● Ø15xØ6x3
④	1	
⑤	4	● M6x30
⑥	1	
⑦	1	
⑧	1	
⑨	1	
⑩	3	● M5x10
⑪	4	● M5 DIN 985
⑫	2	● M5x12
⑬	2	■ M5
⑭	1	
⑮	1	
⑯	4	● M6 DIN EN 1661
⑰	4	● M6x12
⑱	1	
⑲	2	● M6x20

Posnr.	QTY	
⑳	1	150mm
㉑	1	
㉒	1	
㉓	5	● Ø16xØ7x1
㉔	2	YME-W0789-XX-00 Not included
㉕	2	
㉖	1	● M5 DIN EN 1661



Easy, suitable for novice with little experience



Fairly easy, suitable for beginner with some experience



Fairly difficult, suitable for competent DIY mechanic



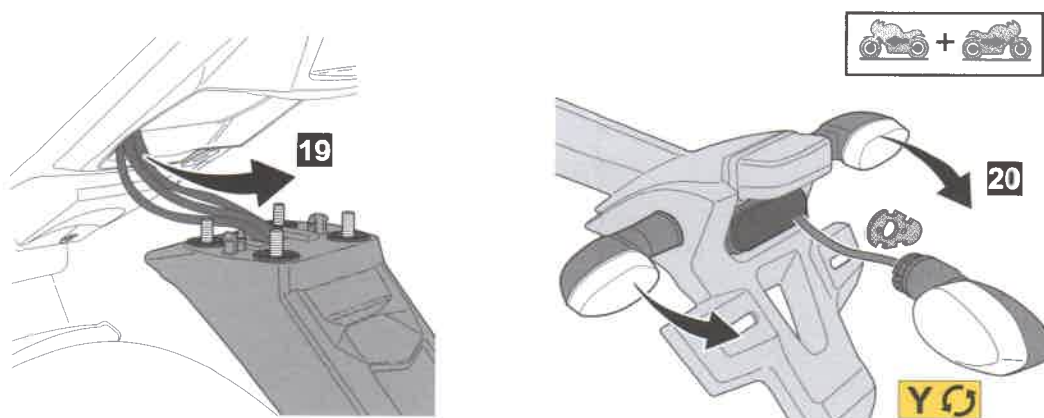
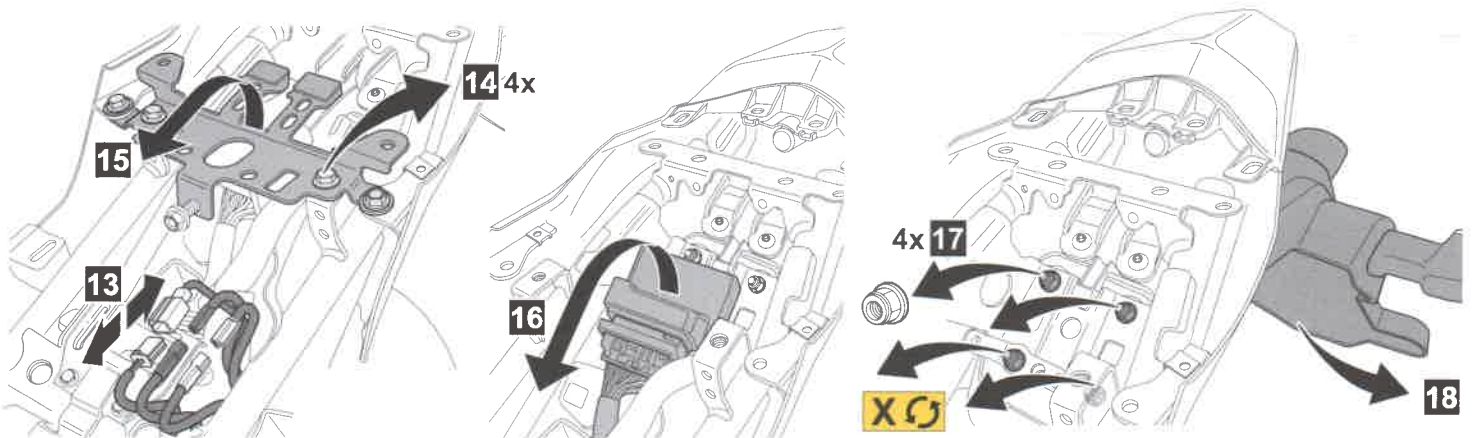
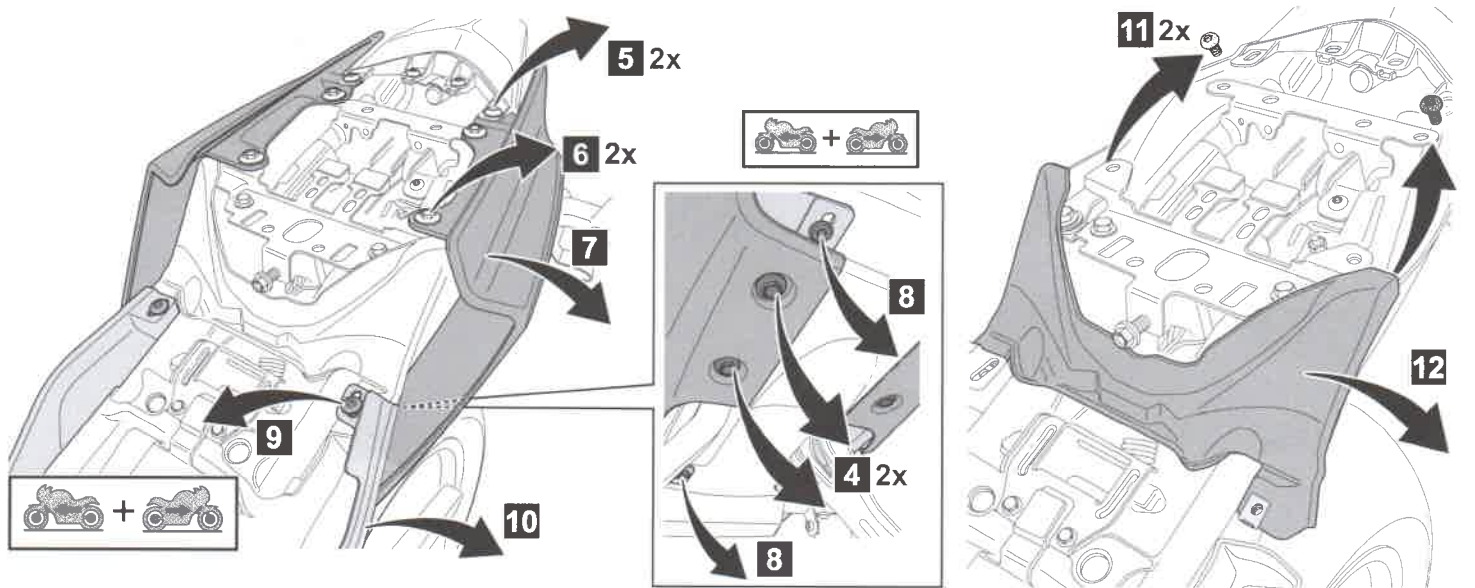
Difficult, suitable for experienced DIY mechanic



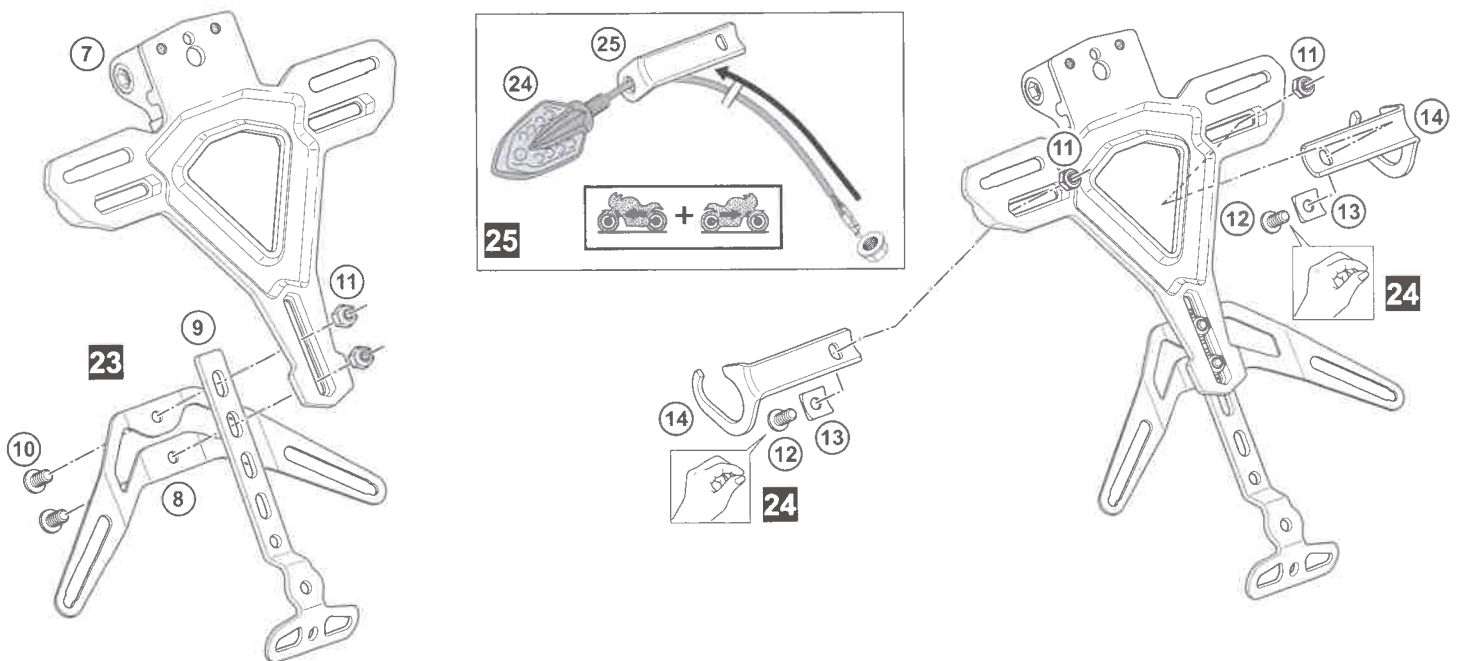
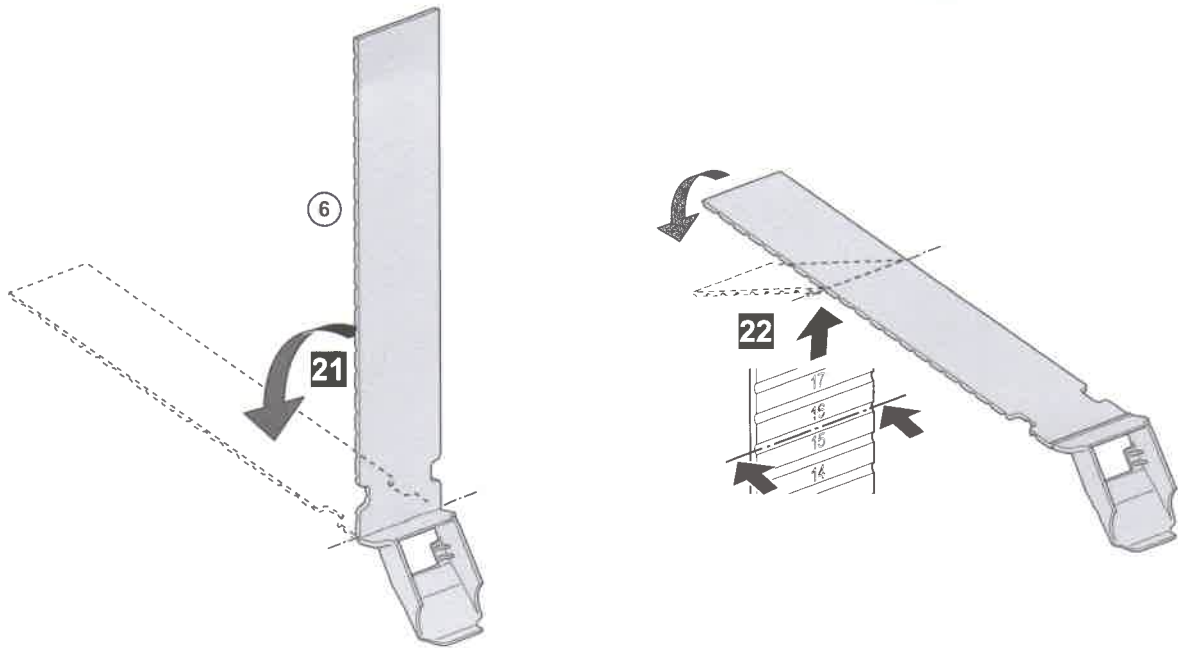
Very difficult, suitable for expert DIY or professional



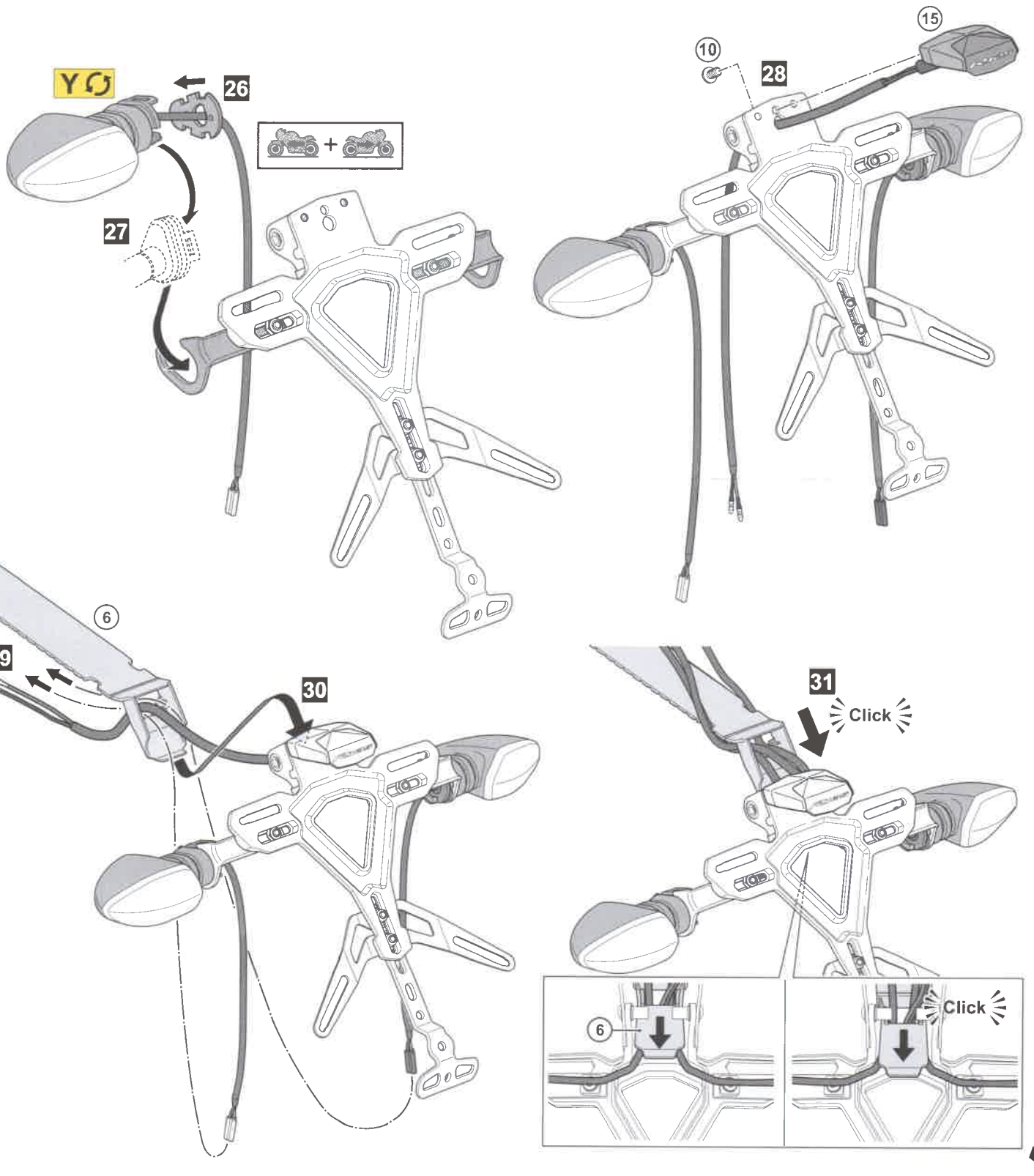
YZF-R-125 (2021) LPH



YZF-R-125 (2021) LPH



YZF-R-125 (2021) LPH



YZF-R-125 (2021) LPH

